

PART NAME

NON-METALLIC ENCLOSURE (STYLE A)

PART No.

NBA-10156 & NBA-10176

MATERIAL:

SOLID BODY & COVER — ABS/PC BLENDED PLASTIC
 UL94-5VB FLAMMABILITY RATING
 CLEAR COVER — POLYCARBONATE PLASTIC
 UL94V-0 FLAMMABILITY RATING
 UV STABILIZED
 LATCHES, HINGES & WALL MOUNTING BRACKETS — STAINLESS STEEL

FINISH:

BODY — LIGHT GRAY
 COVER — LIGHT GRAY OR CLEAR

NOTE: UNIT COMES COMPLETE WITH (4) WALL MOUNTING BRKTS. & (4) M5 x 10mm LG. TRUSS HD. MACHINE SCREWS (NOT SHOWN)

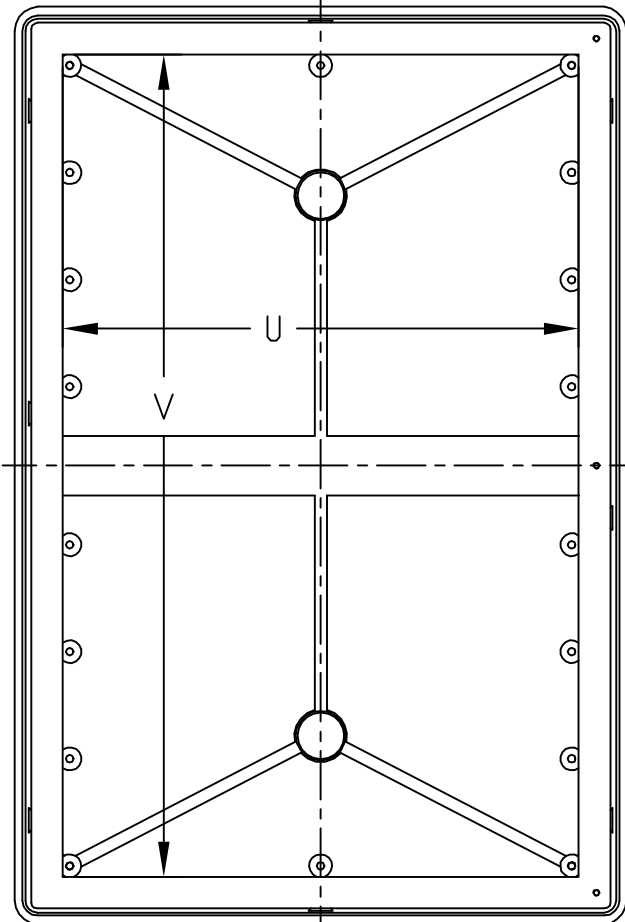
INDUSTRY STANDARDS:

UL508 TYPE 1, 2, 4, 4X INDOOR, 12 & 13
 NEMA TYPE 1, 2, 4, 4X, 12 & 13
 IEC529-IP65

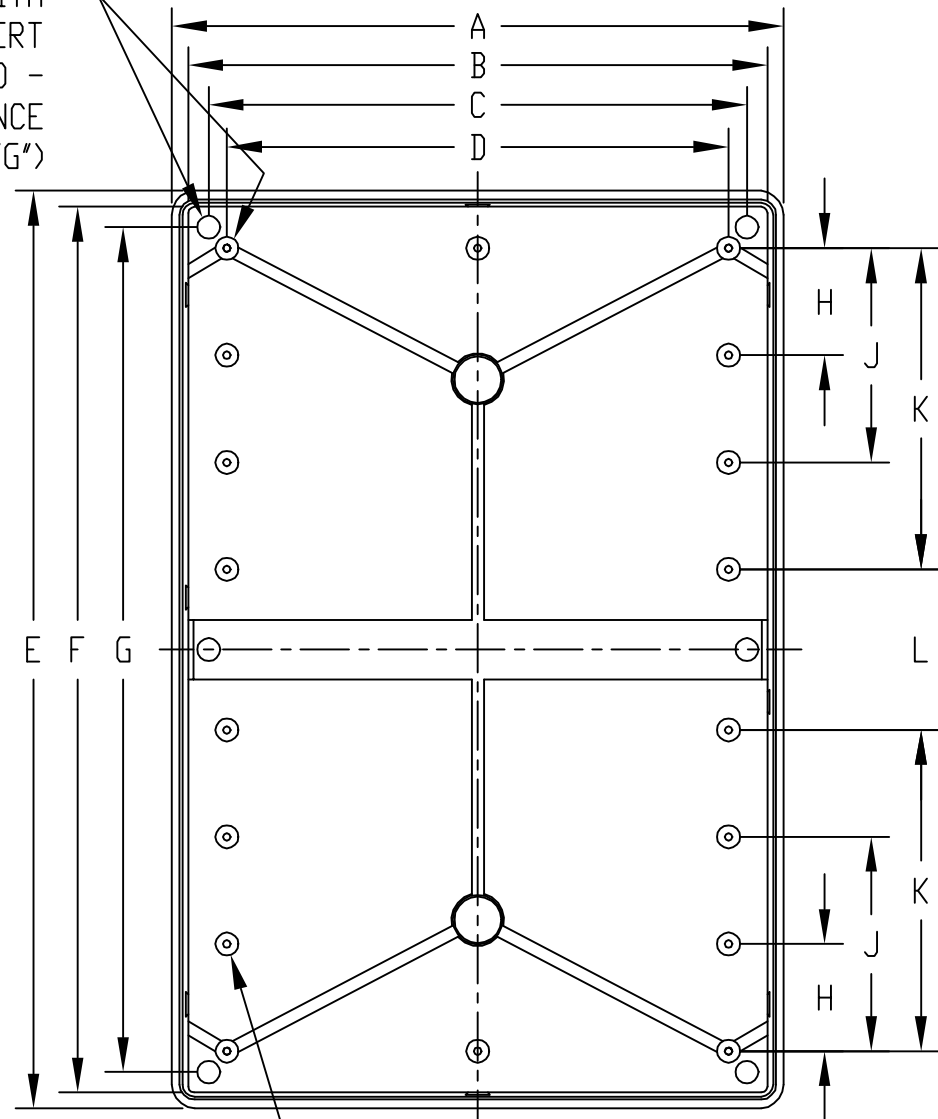
COVER INCLUDES GRAY POLY-URETHANE GASKET.

INTERNAL HINGED PANEL MOUNTING BRACKETS, AIR & MOISTURE VENTS, STAINLESS STEEL LOCKING HASP AND GALVANIZED STEEL INTERNAL PANEL ARE NOT INCLUDED, BUT CAN BE PURCHASED SEPARATELY.

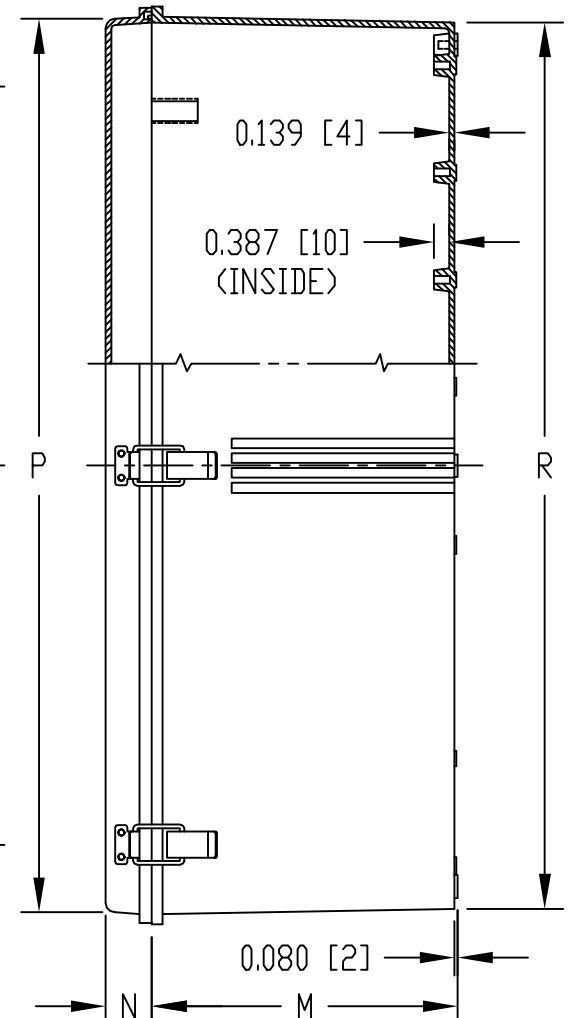
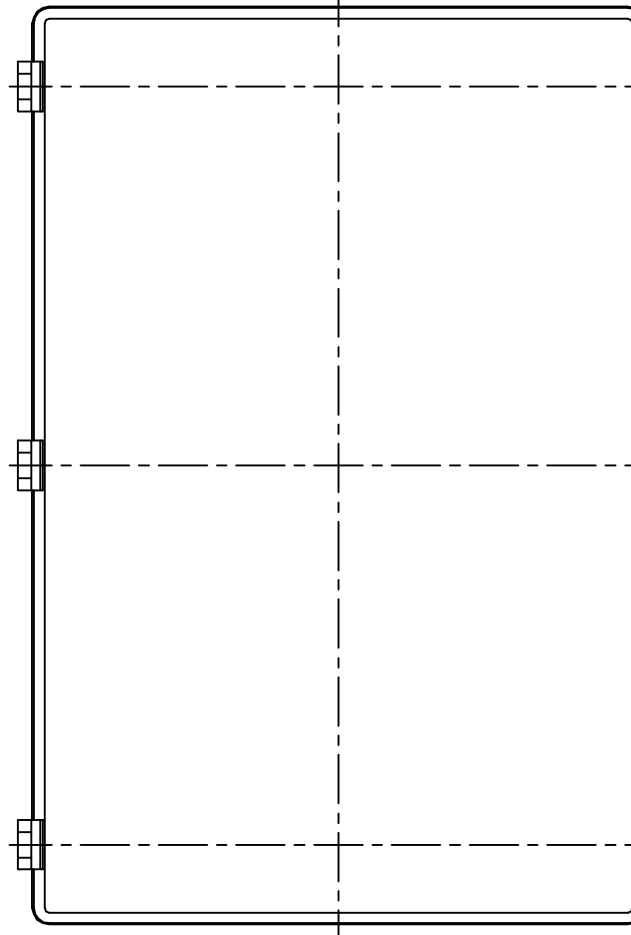
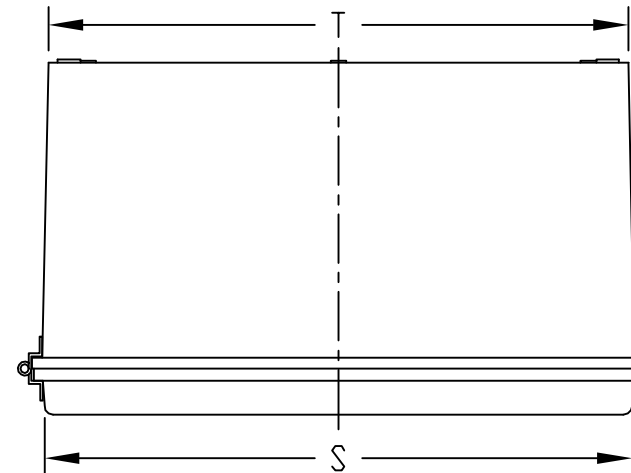
0.590 [15] DIA. BOSS WITH M5 x 0.8mm THREADED BRASS INSERT (4) PL'S INSIDE AS SHOWN - AND - (6) PL'S OUTSIDE (REFERENCE LOCATION DIMENSIONS "C" AND "G")



VIEW LESS COVER 0.590 [15] DIA. BOSS WITH 0.197 [5] DIA. HOLE x 0.410 [10] DEEP (14) PLACES BOSSES ACCEPT M6 METRIC OR 0.250" STD. SHEET METAL SCREWS x 0.375 [9] LG. (NOT SUPPLIED)



VIEW LESS COVER AND PANEL MOUNTING FRAME



NOTE: ALL DIMENSIONS HAVE ±0.039 [±1] TOLERANCE UNLESS OTHERWISE SPECIFIED

PART NO.		DIMENSIONS = INCHES										DIMENSIONS									
GRAY COVER	CLEAR COVER	[MILLIMETERS]																			
		A	B	C	D	E	F	G	H	J	K	L	M	N	P	R	S	T	U	V	
NBA-10156	NBA-10176	15.733	14.900	13.843	12.903	23.610	22.785	21.734	2.755	5.512	8.262	4.130	7.871	1.185	22.982	22.812	15.120	14.920	13.273	21.150	
		[400]	[378]	[352]	[328]	[600]	[579]	[552]	[70]	[140]	[210]	[105]	[200]	[30]	[584]	[579]	[384]	[380]	[337]	[537]	